



Add: No.338 Anju Road, Xiaogang, Beilun district, Ningbo, China

Tel : 0086-574-88410000 / 88358881

Fax: 0086-574-88353777 / 88353888

Post code: 315801

Email: rxj@candy-machines.com

Http: www.candy-machines.com

宁波伊特赛实业股份有限公司

地址：宁波市北仑区小港安居路 338 号

电话：0574-88410000 / 88358881

传真：0574-88353777 / 88353888

邮编：315801

邮箱：rxj@candy-machines.com

网站：www.candy-machines.com



Professional Candy Machine Manufacturer

宁波伊特赛实业股份有限公司
NINGBO EAST SEA INDUSTRIAL CO., LTD





COMPANY PROFILE

Ningbo East Sea Industrial Co., Ltd is a leading company in China confectionary field, who has integrated function as design and develop new products, manufacture and sale, installation, technical training and after-sales service. The reliable product quality, strong R & D capability, innovation and quality service, has make ESM company been the leading level in the confectionary field.

ESM Company is located in Ningbo, China, which is an important industrial city. ESM covers an area of seventy thousand square meters, has a long history with more than 30 years, which has R&D center, product test factory and production factory. The advanced technology, complete inspection means, is a strong guarantee of high quality products and brand reputation both at domestic and abroad markets. At present, the company has been successfully introduced the 6S and the rationalization activities, and developed a comprehensive training system for employees. The company will further implement other management activities, which will further enhance the effective management and product quality.

Technology is a leading and rapidly growing force in the accumulation of a valuable source, ESM has strong technology development platform, has a professional R & D team, which is a guarantee for machines' high quality.

In the past 30 years, ESM has worked with many international famous brands, has exported to more than 50 countries and regions in the past years.

公司简介

宁波伊特赛实业股份有限公司位于中国东海之滨的重要工业城市宁波，占地面积达7万平方米，至今已有三十余年的悠久历史。公司集设计开发、制造销售、安装调试、技术培训、售后服务等综合能力于一体、专业生产糖果机械。

公司内设研究开发，产品中试实验基地及食品设备生产三大块，技术力量雄厚，设备精良，工艺完善，检测手段齐全，有力的保证了产品的高品质。公司具有强大的技术开发平台，拥有一支具有较强研发能力的研发团队。目前，公司已成功导入了6S和合理化改善活动，并制订了完善的员工培训体系，并将进一步在公司内推行其他管理活动，这将进一步有效的提升公司的管理和产品品质。

公司凭借着可靠的产品质量、强大的研发能力、不断创新和优质服务理念，在国内外市场享有较高的品牌信誉。在过去的30余年里，公司和诸多国内外知名品牌厂商合作，出口产品超过50多个国家和地区。

在未来的日子里，伊特赛人将继续秉承“匠念执着，不忘初心”的经营理念，为广大客户提供更优质的产品和更优质的客户售后服务。

DIRECTOR VISION

董事长寄语

回顾过去，我们一直信奉着‘诚信为本’的商业道德准则，执着于‘追求完美，以客至尊’的坚定信念，取得了喜人的成绩。

多年以来，我们本着为客户利益而努力创新，诚信负责的态度服务于客户，并赢得了客户的普遍认可。当今市场瞬息万变，竞争日益激烈，我们将永远把满足顾客的需求和愿望作为企业运营的核心。

我们也将永不间断的学习，研究创新吸收新技术，并时刻以清醒的头脑重视产品质量，永远不忽视质量链中影响产品质量的任何微小环节。

伊特赛集团的今天是大家共同努力的结果，伊特赛的明天更离不开大家的鼎力支持。风雨兼程，是您与伊特赛集团一路走来，感谢有你们！

让我们全体伊特赛家人携手共进，再创辉煌！让我们为集团基业长青而努力奋斗！



——伊特赛集团 董事长（创始人）：
——Director

ESM GROUP HISTORY

伊特赛集团历史沿革——大事记

伊特赛集团现位于宁波北仑小港产业装备园区，下设3个公司：宁波伊特赛实业股份有限公司，宁波好日子食品有限公司，宁波伊特赛包装有限公司。集团公司占地面积达7万平方米，成立至今已有30余年的悠久历史。集团公司内设糖果设备研发中心，糖果生产、糖果设备生产及包材生产三大块。技术力量雄厚，设备精良，工艺先进，检测手段齐全，有力的保证了产品的高品质，在国内外市场享有非常高的品牌信誉。

糖果机械板块：

- 1 公司前身为宁波东海机械制造有限公司，成立于1993年，公司地址为宁波鄞州区邱隘镇横泾村
- 2 2011年公司更名为宁波伊特赛实业股份有限公司
- 3 2015年6月搬迁至宁波北仑小港安居路338号—小港产业装备园区内

糖果板块：

- 1 公司前身为宁波好日子玩具糖果有限公司，成立于2007年，公司地址为宁波鄞州区邱隘镇方庄路
- 2 2015年，公司更名为宁波好日子食品有限公司；2015年6月搬迁到宁波北仑小港安居路338号—小港产业装备园区内

包材板块：

宁波伊特赛包装有限公司成立于2014年，公司地址为宁波北仑小港安居路338号—小港产业装备园区内

我们热忱地希望您，共创甜蜜事业，共享美好未来！

ESM Group is located in Xiaogang Equipment Industry Park, Beilun district, Ningbo, China. It covers an area of seventy thousand square meters, has a long history with more than 30 years, which has candy products R&D center, candy production factory, candy machines factory and packing material factory. The advanced technology, complete inspection means, is a strong guarantee of high quality products and brand reputation both at home and abroad markets.

Candy machine:

- 1 The company formerly was known as Ningbo East Sea Machinery Manufacturing Co., Ltd. The company was established in 1993 and located in QiuAi town, Yinzhou district, Ningbo, China.
- 2 In 2011, the company changed its name to Ningbo East Sea Industrial Co., Ltd.
- 3 In June 2015, the company moved to Xiaogang Equipment Industry Park, Beilun district, Ningbo, China.

Candy:

- 1 The company formerly was known as Ningbo Gooddays Toy Candy Co., Ltd. The company was established in 2007 and located in QiuAi town, Yinzhou district, Ningbo, China.
- 2 In 2015, the company changed its name to Ningbo Gooddays Food Co., Ltd.

Packing:

Ningbo East Sea Packing Co., Ltd. The company was established in 2014 and located in Xiaogang Equipment Industry Park, Beilun district, Ningbo, China.

We sincerely hope to create a sweet career and share a bright future with you!

ESM CUSTOMER AREA ESM 客户分布区域

In the past 30 years, ESM has exported to more than 50 countries and regions, has been providing professional services for nearly 500 customers.

在过去的30多年里，宁波伊特赛实业股份有限公司已经出口产品超过50多个国家和地区，已为近500个客户提供专业的服务。



ESM FACTORY 车间风采



CONTENTS 目录



硬糖浇注生产线

HARD CANDY DEPOSITING
PRODUCTION LINE

PAGE 11-20

- 01 / 硬糖浇注生产线**
LJC SERIES HARD CANDY DEPOSITING PRODUCTION LINE
- 02 / 棒棒糖浇注生产线**
LOLLIPOP DEPOSITING PRODUCTION LINE
- 03 / 棒棒糖伺服浇注生产线**
LOLLIPOP SERVO DRIVE DEPOSITING PRODUCTION LINE
- 04 / 双层硬糖浇注生产线**
DOUBLE LAYERS HARD CANDY DEPOSITING PRODUCTION LINE
- 05 / 果仁糖浇注生产线**
NUT CANDY DEPOSITING PRODUCTION LINE



软糖浇注线

JELLY DEPOSITING PRODUCTION
LINE

PAGE 21-24

- 01 / 果胶软糖浇注生产线**
PECTIN JELLY DEPOSITING PRODUCTION LINE
- 02 / 淀粉模软糖浇注生产线**
MOGUL LINE



硬糖冲压生产线

HARD CANDY DIE FORMING
PRODUCTION LINE

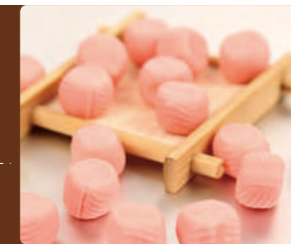
PAGE 25-30

- 01 / 硬糖全自动冲压生产线**
HARD CANDY AUTOMATIC DIE FORMING PRODUCTION LINE
- 02 / 硬糖半自动冲压生产线**
HARD CANDY SEMI-AUTOMATIC DIE FORMING PRODUCTION LINE
- 03 / 棒棒糖全自动冲压生产线**
LOLLIPOP AUTOMATIC CHAIN FORMING PRODUCTION LINE

奶糖冲压生产线

SOFT CANDY DIE FORMING
PRODUCTION LINE

PAGE 31-32



生产及辅助设备

PRODUCTION & ASSISTANCE
EQUIPMENT

PAGE 33-38



- 01 / 充气糖果生产设备**
AERATING CANDY PRODUCTION MACHINE
- 02 / 硬糖生产设备**
HARD CANDY PRODUCTION MACHINE
- 03 / 自动配料设备**
AUTO-WEIGHING SYSTEM
- 04 / 熬糖机**
COOKING MACHINE
- 05 / 搅拌、输送设备**
MIXING、TRANSPORTATION MACHINE

实验室设备

LAB EQUIPMENT

PAGE 39-40



- 01 / 实验室熬糖机**
LAB COOKER
- 02 / 实验室浇注机**
LAB DEPOSITOR
- 03 / 实验室拉白机**
LAB PULLER
- 04 / 实验室真空薄膜熬糖机**
LAB MICRO FILM COOKER
- 05 / 实验室充气糖熬糖机**
LAB AERATING COOKER

CONTENTS 目录

PRODUCT SAMPLES 糖果样品



- 01 / 平板模具
2D MOULD

- 02 / 自动立体模具
3D MOULD

- 03 / 棒棒糖模具
LOLLIPOP MOULD

- 04 / 手工模具
MANUAL MOULD

- 05 / 硅胶模具
SILICON MOULD

- 06 / 冲压模具
DIE FORMING MOULD

- 07 / 伺服机器专用模具
SERVO MACHINE SPECIAL MOULD

- 08 / 平板棒棒糖模具
FLAT LOLLIPOP MOULD

- 09 / 特殊定制模具
SPECIAL MOULD



LJC-SERIES HARD CANDY DEPOSITING PRODUCTION LINE



LJC 系列硬糖浇注生产线

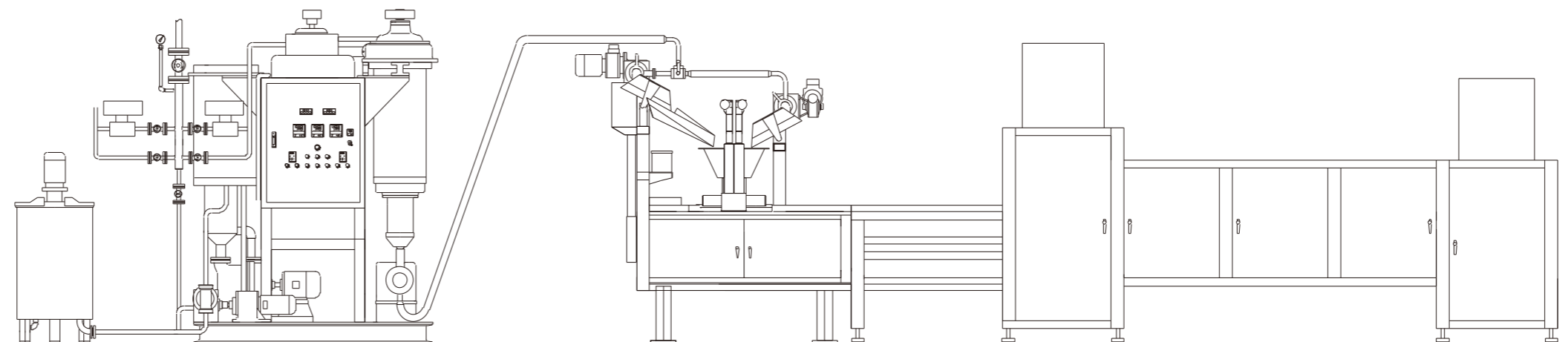
LJC-SERIES HARD CANDY DEPOSITING PRODUCTION LINE LJC 系列硬糖浇注成型生产线

LJC Series hard candy depositing production line is mainly used for hard candy making. It integrates mechanical, electric, compressed air, and automatic control. LJC Series' feature is its high capacity, high quality, various products design, easy operation, reliable structure design, and high automatic grade. It can not only produce transparent hard candy, double colors candy, double layers with double flavors candy, center filling candy, but also whirl designed product with multiple colors and tastes.

LJC 系列连续真空薄膜浇注生产线是主要用于硬糖的浇注生产设备。该设备集机、电、气、自动控制于一体，具有产量高、糖果质量好、品种多，操作简便、结构紧凑、自动化程度高等很多特点。LJC 系列连续真空薄膜浇注生产线不仅能生产透明水晶糖、双色糖、双层双味糖，夹心糖，还可以生产螺旋形喷花糖果等多种色彩和口味的糖果。

TECHNICAL DATA: 技术参数:

Model	型号	LJC-II	LJC-III	LJC-IV
Capacity(5g candy)	产量	360kg/h	500kg/h	720kg/h
Power consumption(cooker)	功率(熬糖机)	16kw	23kw	23kw
Power consumption(depositor)	功率(浇注机)	17kw	19kw	23kw
Compressed air consumption	压缩空气耗量	0.5m ³ /min	0.5m ³ /min	0.5m ³ /min
Compressed air pressure	压缩空气压力	0.4-0.6Mpa	0.4-0.6Mpa	0.4-0.6Mpa
Steam consumption	蒸汽耗量	450kg/h	500kg/h	600kg/h
Steam pressure	蒸汽压力	0.6-0.8Mpa	0.6-0.8Mpa	0.6-0.8Mpa
Water consumption	水耗量	2200L/h	2200L/h	2200L/h
Size(L*W*H)	尺寸	13500*2000*2700mm	13500*2500*2700mm	13500*2800*2700mm
Weight	重量	6000kgs	7500kgs	8000kgs



LOLLIPOP DEPOSITING PRODUCTION LINE

棒棒糖浇注生产线



LJC-SERIES LOLLIPOP DEPOSITING PRODUCTION LINE

LJC 系列棒棒糖浇注生产线

LJC lollipop depositing production line is mainly used for lollipop making. It integrates mechanical, electric, compressed air, and automatic control. LJC's feature is its high capacity, high quality, various product design, easy operation, reliable structure design, and high automatic grade. It can not only produce single color lollipop, double colors lollipop, center filled lollipop, but also double balls lollipop product by depositing system increased.

LJC 连续棒棒糖浇注生产线是主要用于棒棒糖的浇注生产设备。该设备集机、电、气、自动控制于一体，具有产量高、糖果质量好、品种多，操作简便、结构紧凑、自动化程度高等很多特点。LJC 连续棒棒糖浇注生产线不仅能生产单色棒棒糖、喷花棒棒糖，夹心棒棒糖，通过增加浇注头，还可以生产双球联体棒棒糖等多种色彩和口味的产品。



TECHNICAL DATA:

技术参数:

Model	型号	LJC-II
Capacity(10g candy)	产量	280kg/h
Power consumption(cooker)	功率(熬糖机)	16kw
Power consumption(depositor)	功率(浇注机)	18.5kw
Compressed air consumption	压缩空气耗量	0.5m ³ /min
Compressed air pressure	压缩空气压力	0.4-0.6Mpa
Steam consumption	蒸汽耗量	450kg/h
Steam pressure	蒸汽压力	0.6-0.8Mpa
Water consumption	水耗量	2200L/h
Size(L*W*H)	尺寸	13500*2000*2700mm
Weight	重量	6000kgs

ZBA-II MICRO FILM COOKER

ZBA-II 真空薄膜熬糖机

ZBA-II Micro film cooker is able to cook syrup continuously with automatic temperature control. The micro film cooker's feature is its large capacity, fast processing, accurate control of cooking temperature and high vacuum. Rapid cooking and high vacuum to produce good quality and quite transparent syrup, which is suitable for cooking hard boiled candy, fruit hard candy, crystal candy and hard toffee. It is capable of working with depositing line or forming production line. ZBA-II Micro film cooker is a perfect and efficient kitchen equipment.

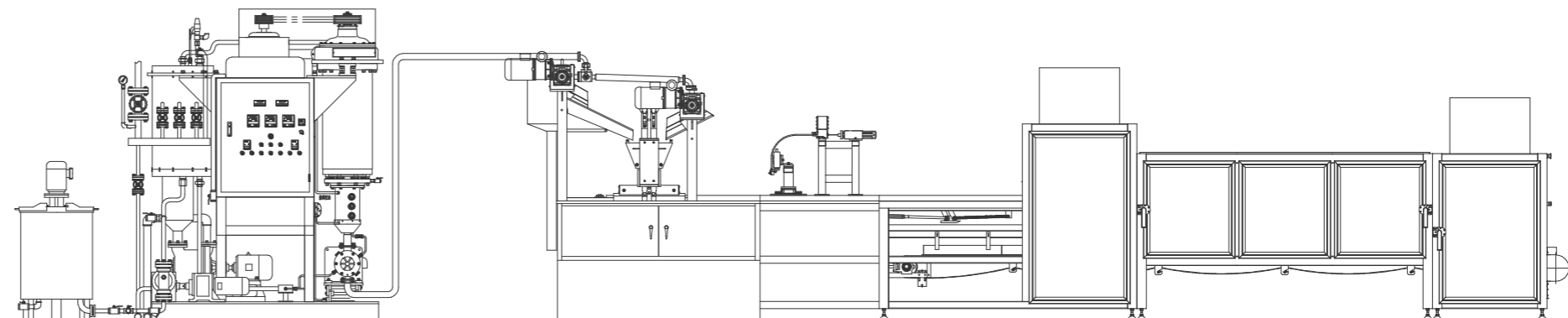
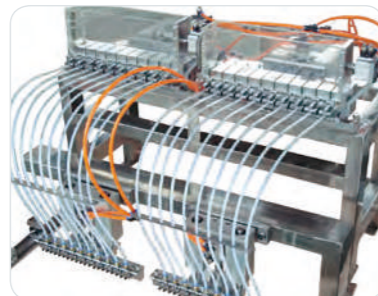
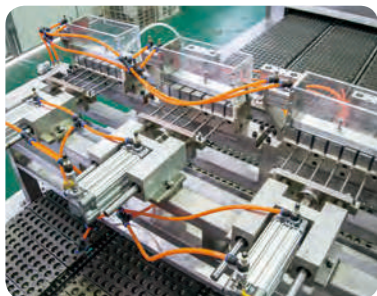
ZBA-II真空薄膜熬糖机具有连续自动熬糖和自动控温功能。设备的特点是产量高、熬糖速度快，熬煮温度控制精确、真空度高。快速的熬煮并高度真空化使糖浆具有高质量和高透明度。适用于普通硬糖，水果糖，水晶糖和硬太妃糖的熬煮。可与自动浇注成型机或其他成型设备配套使用，是高效的糖浆真空薄膜熬煮设备。



TECHNICAL DATA:

技术参数:

Model	型号	ZBA-II	ZBA-III
Capacity	产量	360kg/h	500kg/h
Power	功率	16kw	23kw
Steam consumption	蒸汽耗量	450kg/h	450kg/h
Steam pressure	蒸汽压力	0.6-0.8Mpa	0.6-0.8Mpa
Water consumption	水耗量	2200L/H	2200L/H
Size(L*W*H)	尺寸	1900*1425*2700mm	2200*1850*2700mm
Weight	重量	2500kg	3000kg



LOLLIPOP SERVO DRIVE DEPOSITING PRODUCTION LINE

棒棒糖伺服浇注生产线



ZBA-A AUTOMATIC MICRO FILM COOKER ZBA-A 真空薄膜熬糖机

ZBA-A Micro film cooker is able to cook syrup continuously with automatic temperature control. The micro film cooker's feature is its large capacity, fast processing, accurate control of cooking temperature and high vacuum. Rapid cooking and high vacuum to produce good quality and quite transparent syrup, which is suitable for cooking hard boiled candy, fruit hard candy, crystal candy and hard toffee. It is capable of working with depositing line or forming production line. ZBA-A Micro film cooker is a perfect and efficient kitchen equipment



ZBA-A 真空薄膜熬糖机具有连续自动熬糖和自动控温功能。设备的特点是产量高、熬糖速度快，熬煮温度控制精确、真空度高。快速的熬煮并高度真空化使糖浆具有高质量和高透明度。适用于普通硬糖，水果糖，水晶糖和硬太妃糖的熬煮。可与自动浇注成型机或其他成型设备配套使用，是高效的糖浆真空薄膜熬煮设备。

全自动控制熬糖机特点：

- 全自动电脑 PLC 控制
- 自动传感器控温控压
- 西门子 1500 系列 PLC 和触摸屏操作

Fully automatic control cooker feature:

- Fully automatic PLC control
- Automatic temperature and pressure sensor for accurate control
- SIEMENS 1500 series PLC and touch screen for operation

TECHNICAL DATA: 技术参数:

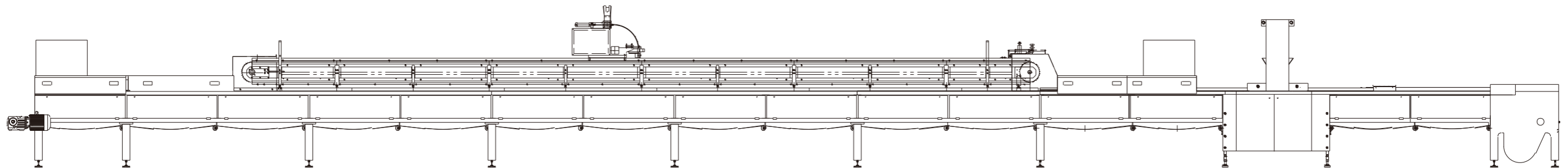
Model	型号	ZBA-II	ZBA-III
Capacity	产量	360kg/h	500kg/h
Power	功率	16kw	23kw
Steam consumpton	蒸汽耗量	450kg/h	450kg/h
Steam pressure	蒸汽压力	0.6-0.8Mpa	0.6-0.8Mpa
Water consumption	水耗量	2200L/H	2200L/H
Size(L*W*H)	尺寸	1900*1425*2700mm	2200*1850*2700mm
Weight	重量	2500kgs	3000kgs

LOLLIPOP SERVO DRIVE DEPOSITING MACHINE 棒棒糖伺服浇注机



TECHNICAL DATA: 技术参数:

Model	型号	LJC-II	LJC-III
Capacity(10g lollipop)	产量	500kg/h	720kg/h
Power (cooker)	功率 (熬糖机)	16kw	23kw
Power (depositor)	功率 (浇注机)	32kw	32kw
Compressed air consumption	压缩空气耗量	2m ³ /min	2m ³ /min
Compressed air pressure	压缩空气压力	0.65Mpa	0.65Mpa
Steam pressure	蒸汽压力	0.4-0.6Mpa	0.4-0.6Mpa
Steam consumption	蒸汽耗量	450kg/h	450kg/h
Water consumption	耗水量	2200L/h	2200L/h
Size(L*W*H)	尺寸	20365*1624*2100mm	20365*1964*2100mm
Weight	重量	12000kgs	12000kgs



DOUBLE LAYERS HARD CANDY DEPOSITING PRODUCTION LINE



双层硬糖浇注生产线

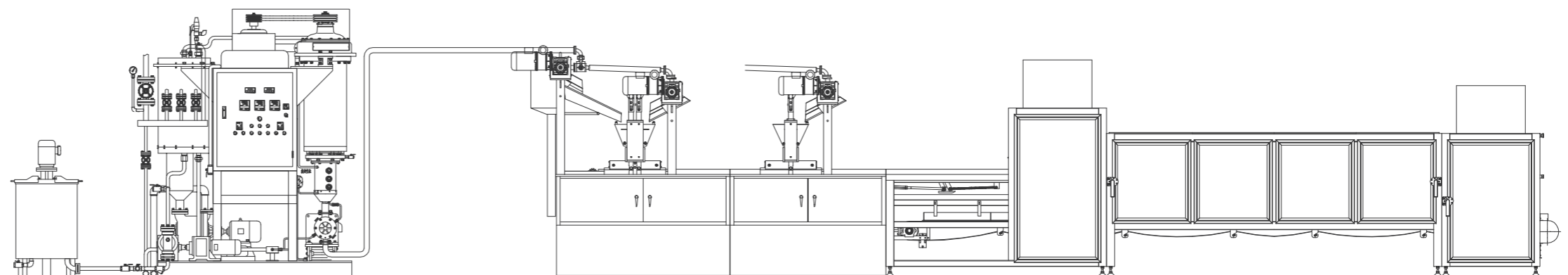
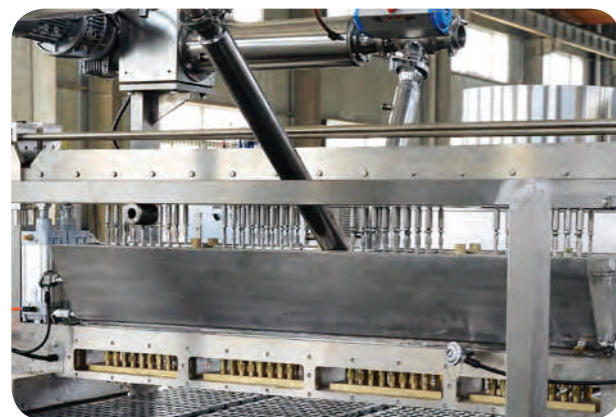
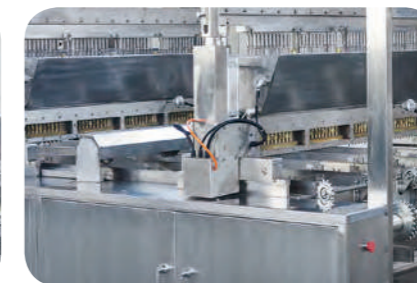
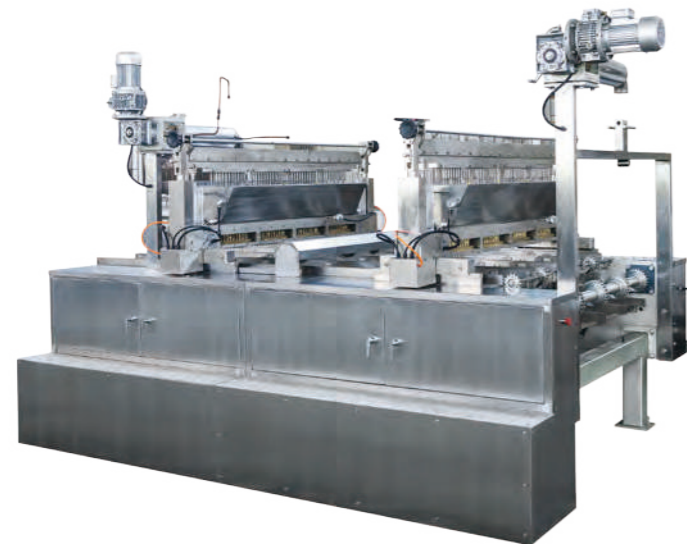
DOUBLE LAYERS HARD CANDY DEPOSITING PRODUCTION LINE 双层硬糖浇注生产线

LJC series double layers candy depositing production line is flexible and convenient equipment that design for double layers hard candy product specially. Depositing procedure is capable of working step by step through depositing system and assembly part increasing. Double depositing systems supply different recipe with different flavor, in order to produce different taste product with upper and down layers. LJC series double layers candy depositing production line has feature includes better compatibility, high capacity, and convertible mould changing flexibly. Moreover, each depositing system can set up two hoppers individually to achieve multiple product processing.

LJC 系列双层糖连续浇注成型生产线是设计较为灵活应用简便的双层糖果生产设备。通过增加浇注系统和其他配置，浇注工序可以分为两部分进行，两套浇注系统可供应不同颜色和口味的糖浆，从而生产出上下双层具有双重风味的糖果。该机具有产品兼容性好，产量高，模具更换方便等特点。每个浇注系统还可以安装两个浇注料斗来实现产品的多样化。

TECHNICAL DATA: 技术参数:

Model	型号	LJC-II	LJC-III	LJC-IV
Capacity(5g candy)	产量	360kg/h	500kg/h	720kg/h
Power consumption(cooker)	功率(熬糖机)	16kw	23kw	23kw
Power consumption(depositor)	功率(浇注机)	17kw	19kw	23kw
Compressed air consumption	压缩空气耗量	0.5m ³ /min	0.5m ³ /min	0.5m ³ /min
Compressed air pressure	压缩空气压力	0.4-0.6Mpa	0.4-0.6Mpa	0.4-0.6Mpa
Steam consumption	蒸汽耗量	450kg/h	500kg/h	600kg/h
Steam pressure	蒸汽压力	0.6-0.8Mpa	0.6-0.8Mpa	0.6-0.8Mpa
Water consumption	水耗量	2200L/h	2200L/h	2200L/h
Size(L*W*H)	尺寸	13500*2000*2700mm	13500*2500*2700mm	13500*2800*2700mm
Weight	重量	6000kgs	7500kgs	8000kgs



NUT CANDY DEPOSITING PRODUCTION LINE

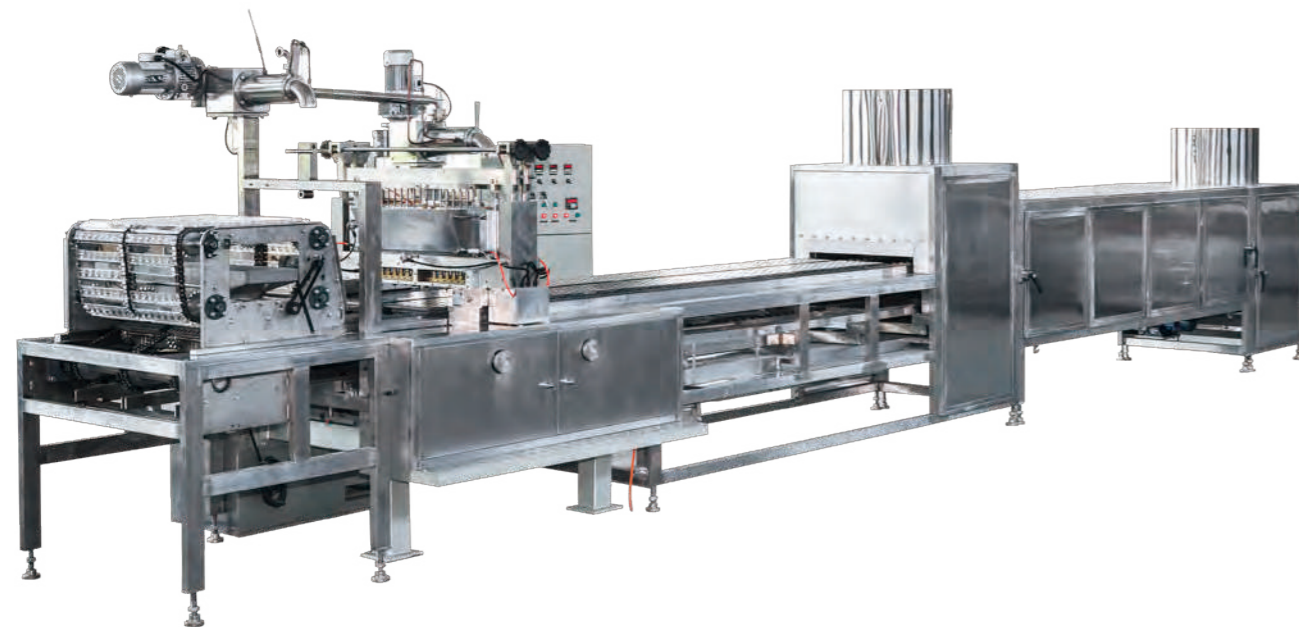


果仁糖浇注生产线

NUT CANDY DEPOSITING PRODUCTION LINE 果仁糖浇注生产线

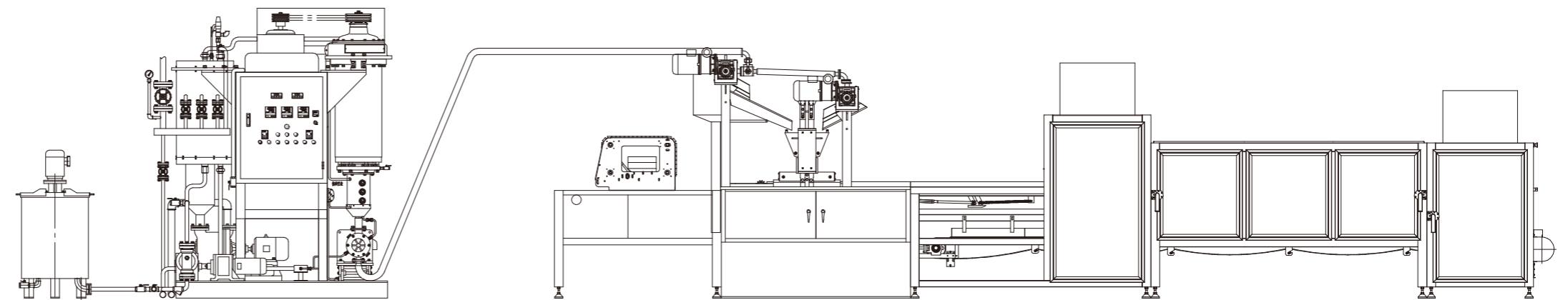
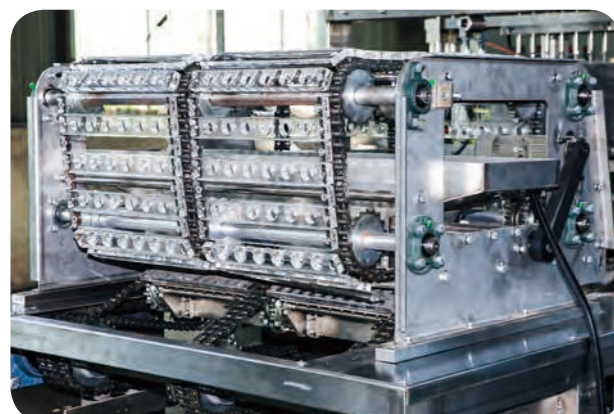
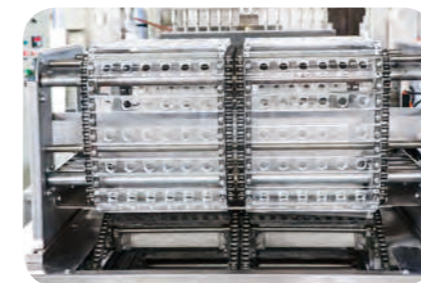
LJC series nut candy continuously depositing production line is capable of making hard boiled candy mixing with nut and dry fruit. This production line features spray nut or dry fruit automatically and support continuous depositing performance. This line has more advantages such as accurate spray location, less chip percentage, running automatically, easy to add nut ingredient, fast dropping. LJC series nut candy continuously depositing production line is perfect equipment to process nut and dry fruit mixing candy product.

LJC 系列果仁糖连续浇注成型生产线是用于生产混合型坚果和果仁糖果的生产线。可用于话梅、杏仁等多种干果 / 坚果混合型糖果的生产。该机具有自动添加果仁和支持连续浇注生产运行的特点，添加物料定位精准，不易碎裂，自动化程度高，补料方便，下料速度快，是生产各类果仁混合型糖果的理想设备。



TECHNICAL DATA: 技术参数:

Model	型号	LJC-II	LJC-III	LJC-IV
Capacity(5g candy)	产量	360kg/h	500kg/h	720kg/h
Power consumption(cooker)	功率(熬糖机)	16kw	23kw	23kw
Power consumption(depositor)	功率(浇注机)	17kw	19kw	23kw
Compressed air consumption	压缩空气耗量	0.5m ³ /min	0.5m ³ /min	0.5m ³ /min
Compressed air pressure	压缩空气压力	0.4-0.6Mpa	0.4-0.6Mpa	0.4-0.6Mpa
Steam consumption	蒸汽耗量	450kg/h	500kg/h	600kg/h
Steam pressure	蒸汽压力	0.6-0.8Mpa	0.6-0.8Mpa	0.6-0.8Mpa
Water consumption	水耗量	2200L/h	2200L/h	2200L/h
Size(L*W*H)	尺寸	13500*2000*2700mm	13500*2500*2700mm	13500*2800*2700mm
Weight	重量	6000kgs	7500kgs	8000kgs



PECTIN JELLY DEPOSITING PRODUCTION LINE



果胶软糖浇注生产线

JLM-1200 JELLY COOKER JLM-1200 软糖熬糖机

JLM-1200 Jelly cooker is designed for gelatin, pectin, carrageenan, agar-agar, and various modified starch cooking to produce jelly. This cooker's feature is its binding heat exchanger. It is able to transfer heating energy maximum by the small exchanger. JLM-1200 Jelly cooker possess vacuum chamber to ensure target brix of cooked syrup.

JLM-1200软糖熬糖机是能以明胶、果胶、卡拉胶、琼脂和各种变性淀粉为原料熬制凝胶软糖的凝胶糖果专用熬糖机。该熬糖机已经特别设计了捆绑式热交换器，此类热交换器能够以较小的体积产生较大的热交换量，并且安装有真空室保证熬煮的糖度。



PECTIN JELLY DEPOSITING MACHINE 果胶软糖浇注机



喷油系统
Oil spraying system



冷冻压缩机组
Refrigeration device



蒸汽疏水阀
Steam Drain Valve



蒸汽自动阀
Steam Auto-control Valve



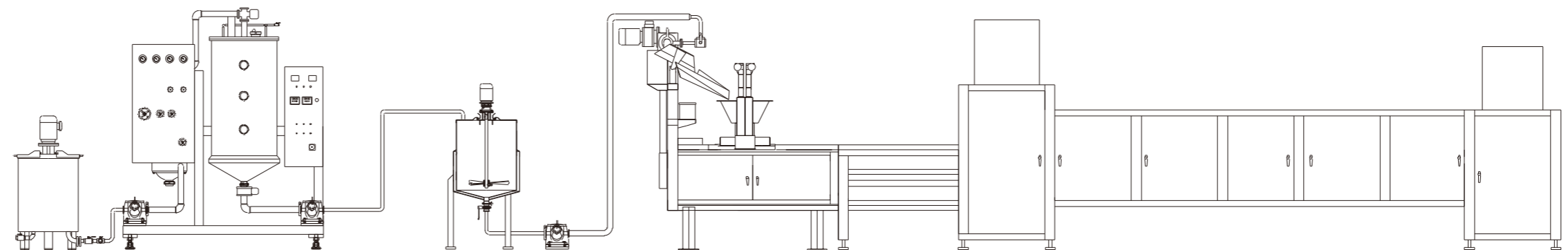
蒸汽减压阀
Steam Relief Valve

TECHNICAL DATA: 技术参数:

Model	型号	LJC-II	LJC-III	LJC-IV
Capacity(5g candy)	产量	360kg/h	500kg/h	720kg/h
Power consumption(cooker)	功率(熬糖机)	16kw	23kw	23kw
Power consumption(depositor)	功率(浇注机)	17kw	19kw	23kw
Compressed air consumption	压缩空气耗量	0.5m ³ /min	0.5m ³ /min	0.5m ³ /min
Compressed air pressure	压缩空气压力	0.4-0.6Mpa	0.4-0.6Mpa	0.4-0.6Mpa
Size(L*W*H)	尺寸	135000*2000*2700mm	135000*2500*2700mm	135000*2800*2700mm
Weight	重量	6000kgs	7500kgs	8000kgs

TECHNICAL DATA: 技术参数:

Model	型号	JLM-1200
Capacity	产量	700kg/h
Power	功率	7kw
Water consumption	耗水量	1800L/h
Steam consumption	蒸汽耗量	600kg/h
Steam pressure	蒸汽压力	0.7Mpa
Compressed air pressure	压缩空气压力	0.6Mpa
Size(L*W*H)	尺寸	2000*1200*2450mm



MOGUL LINE



淀粉模软糖浇注生产线

JLM-1200 JELLY COOKER JLM-1200 软糖熬糖机

JLM-1200 Jelly cooker is designed for gelatin, pectin, carrageenan, agar-agar, and various modified starch cooking to produce jelly. This cooker's feature is its binding heat exchanger. It is able to transfer heating energy maximum by the small exchanger. JLM-1200 Jelly cooker possess vacuum chamber to ensure target brix of cooked syrup.

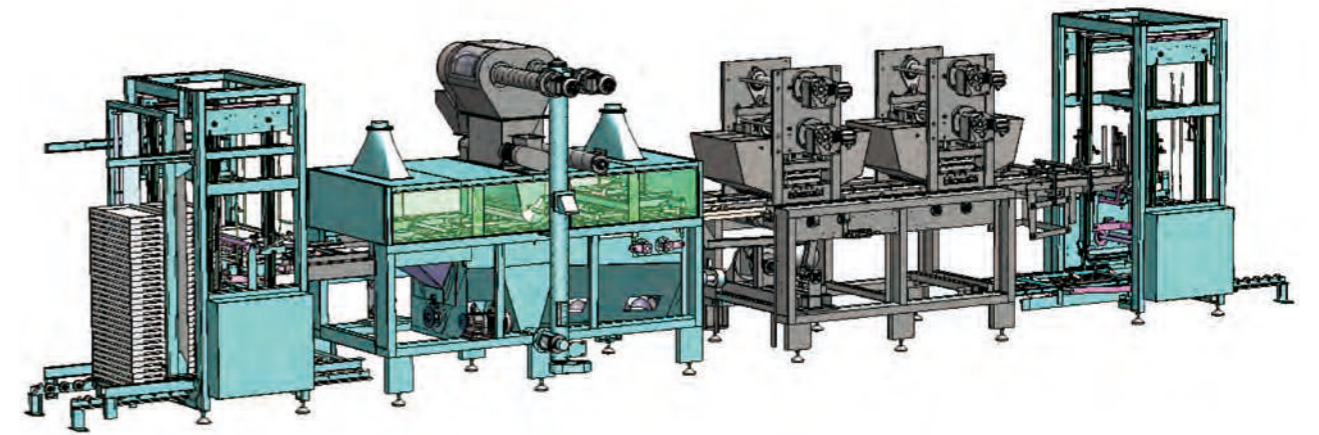
JLM-1200 软糖熬糖机是能以明胶、果胶、卡拉胶、琼脂和各种变性淀粉为原料熬制凝胶软糖的专用熬糖机。该熬糖机已经特别设计了捆绑式热交换器，此类热交换器能够以较小的体积产生最大的热交换量，并且安装有真空室保证熬煮的糖度。



TECHNICAL DATA: 技术参数:

Model	型号	JLM-1200
Capacity	产量	700kg/h
Power	功率	7-10kw
Water consumption	耗水量	1800L/h
Steam consumption	蒸汽耗量	600kg/h
Steam pressure	蒸汽压力	0.7Mpa
Compressed air pressure	压缩空气压力	0.6Mpa
Size(L*W*H)	尺寸	2000*1200*2450mm

MOGUL LINE 淀粉模软糖浇注成型生产线

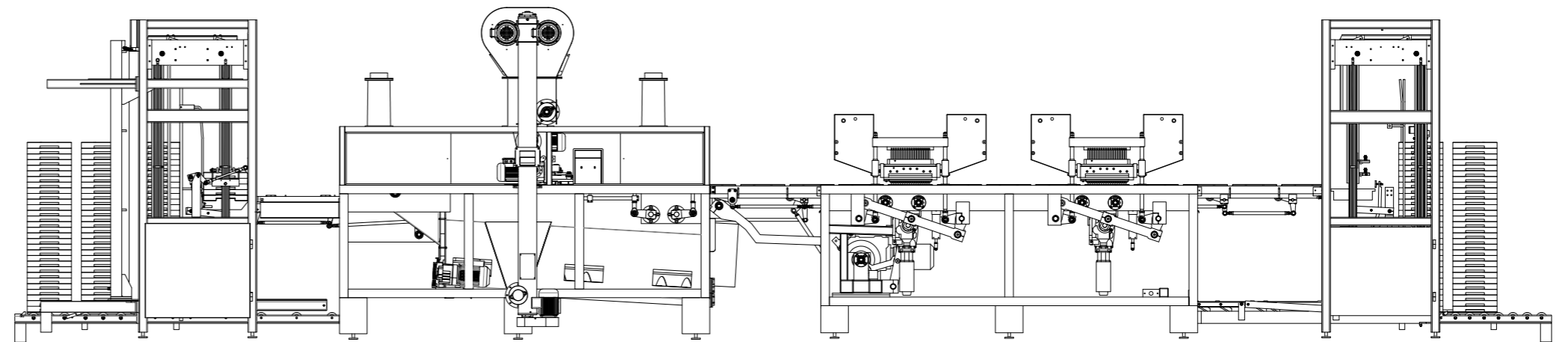


TECHNICAL DATA: 技术参数:

Model	型号	TDJ-1250
Capacity	产量	1000kg/h
Power	功率	105kw
Compressed air pressure	压缩空气压力	0.7-0.8Mpa
Compressed air consumption	压缩空气耗量	300m³/h
Chilled water consumption	冷水耗量	315kg/min
Chilled water temperature	冷水温度	4°C
Starch tray size(L*W*H)	粉盘尺寸	820*400*56mm



Oil Coating Machine
涂油机



HARD CANDY AUTOMATIC DIE FORMING PRODUCTION LINE



硬糖全自动冲压生产线

ZAT20 VACUUM COOKER ZAT20 真空熬糖机

ZAT20 Vacuum cooker, GDJ steel cooling belt conveyor are the main equipments in die forming hard candy production. The cooked syrup is produced by ZAT Vacuum cooker and fed into the steel cooling belt. Then steel cooling belt cools down hot syrup through kneading, pressing and shoveling. The syrup will keep cooling to target temperature during transportation. It is suitable for working with pulling machine and extruder for making die forming hard candy. It is an ideal equipment for sugar mass' cooling and transportation.

ZAT20 真空熬糖机、GDJ 钢带输送机是生产冲压糖果的关键设备，它将糖浆熬制出来后送入钢带冷却输送机，通过钢带输送机对高温糖浆进行揉碾压铲，使糖浆在连续输送的同时持续冷却。该设备可与拉白机、挤出机配套使用，是理想的糖浆熬制、冷却输送设备。



GDJ STEEL COOLING BELT GDJ 钢带冷却输送机

TECHNICAL DATA: 技术参数:

Model	型号	GDJ
Capacity	产量	600-1200kg/h
Power	功率	6.5kw
Size(L*W*H)	尺寸	10640*1310*1300mm

TECHNICAL DATA: 技术参数:

Model	型号	ZAT20
Capacity	产量	600-1000kg/h
Power	功率	18-22kw
Steam pressure	蒸汽压力	0.5-0.8Mpa
Steam consumption	蒸汽耗量	400-600kg/h
Machine size	机器尺寸	3600*2550*3820mm
Weight	重量	3200kgs

GCH BATCH ROLLER GCH 保温滚床



DHJT-100 ROPE SIZER DHJT-100 均条机



CYJ-1000 Die forming machine is able to produce hard candy and milky candy with different shapes and sizes including filled or unfilled. This machine's working speed is controlled by inverter to match the front processing's speed from rope sizer. Automatic scrap collector is convenient for sugar scrap collection and automatic lubrication recycle system is facilitating the machine's maintenance.

CYJ-1000 冲压成型机能够连续生产不同形状和尺寸带夹心或无夹心的硬糖，奶糖。该机使用变频器控制糖条的成型速度，以适应上一级均条机的输料速度。该机还配有自动糖渣回收系统以便于废糖渣的清理，以及自动循环加油系统方便机器的保养维护。

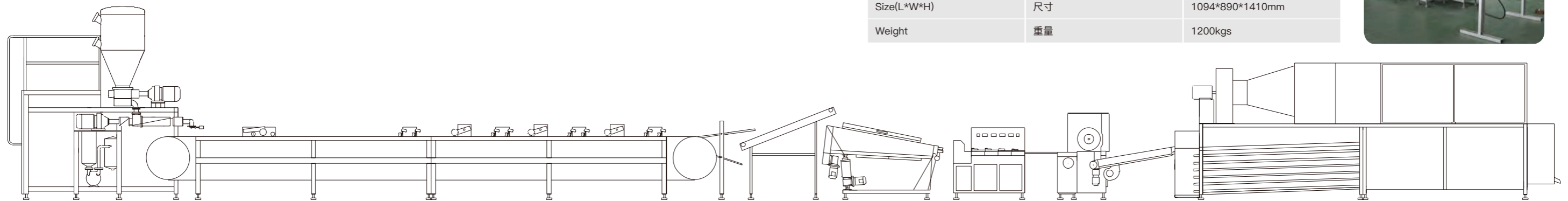
TECHNICAL DATA: 技术参数:

Model	型号	CYJ-1000
Capacity	产量	90m/min
Main power voltage	输入电压	3/PE/380v AC
Frequency	频率	50 hz
Power	功率	10kw
Size(L*W*H)	尺寸	1094*890*1410mm
Weight	重量	1200kgs

CYJ-1000 DIE FORMING MACHINE CYJ-1000 冲压成型机



CTS-160 COOLING TUNNEL CTS-160 冷却隧道



HARD CANDY SEMI-AUTOMATIC DIE FORMING PRODUCTION LINE



硬糖半自动冲压生产线

ZG700 BATCH COOKER ZG700 转锅熬糖机

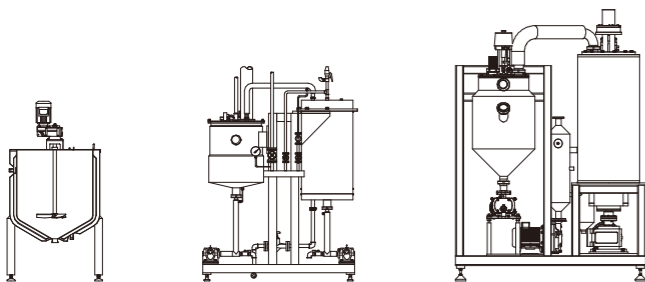
ZG700 Batch cooker is particularly economical and flexible cooking equipment in the upper capacity range up to 750kg/h. The feature is optimal heat exchange, highly product-conserving cooking process, and seamless vacuum working. Whatever recipes of extreme ingredient proportions cooking, or highly boiled /low boiled syrup mass with and without sugar are all possible produced by ZG700 batch cooker. The terminal product moisture content can approach 1% minimum. ZG700 Batch cooker is a proven and flexible unit for cooking of highly vacuum product. It also can process high boiled sugar masses with sugar.

ZG700 转锅熬糖机是一款高效且极具便利性的熬糖设备，产量可高达750公斤/小时。具有理想的热交换效率，和极大程度的熬煮流程保护功能，无缝对接的真空化。无论是熬煮极端原料比例的配方，还是低浓度度/高浓度度的含糖或无糖产品，ZG700转锅熬糖机都能完美呈现。产品的终端含水量能低至1%。作为一个经过各方面验证的，且具有高度灵活性的熬糖机，ZG700熬糖机是生产高度真空化糖果的最佳选择。此外，它还可以熬煮高度浓缩的牛奶类原料。



TECHNICAL DATA: 技术参数:

Model	型号	ZG700
产量	Capacity	700kg/h
功率	Power	30kw
蒸汽压力	Steam pressure	0.6-0.8Mpa
蒸汽耗量	Steam consumption	500kg/h
水耗量	Water consumption	cooling water tower required
机器尺寸	Machine size	3000*2000*3100mm
重量	Weight	2500kg

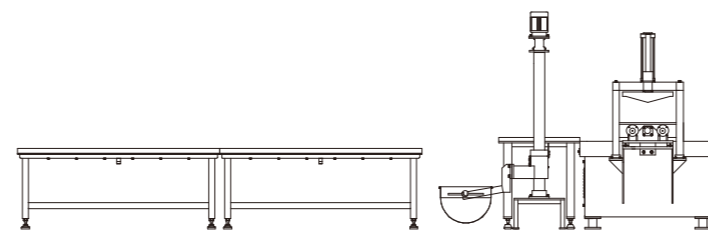


ETR-400 KNEADING MACHINE ETR-400 揉糖机



TECHNICAL DATA: 技术参数:

Model	型号	ETR-400
Capacity	产量	15-40kg/batch
Power	功率	2kw
Size(L*W*H)	尺寸	3600*1350*2000mm



GCH BATCH ROLLER GCH 保温滚床



DHJT-100 ROPE SIZER DHJT-100 均条机



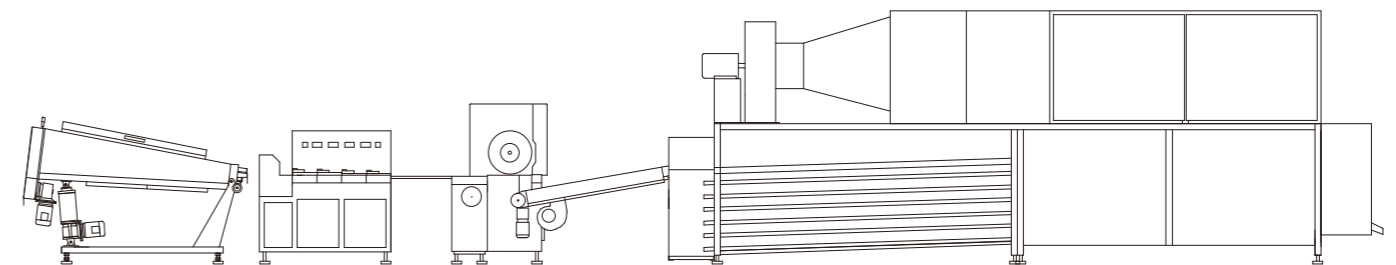
CYJ-1000 DIE FORMING MACHINE CYJ-1000 冲压成型机



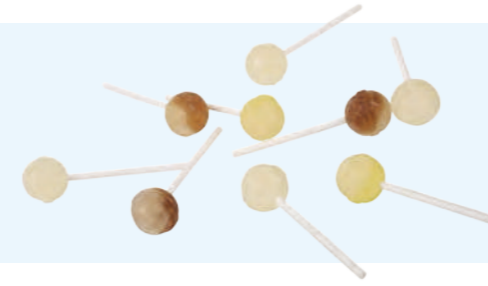
Candy die forming production section is consists of batch roller, rope sizer, and die forming machine. Three machines work together to produce sugar mass from unformed to sugar rope. Then forming machine produce sugar rope to be final product piece by piece. The maximum speed can reach 90m/min. Die forming production speed and effect will rival the advanced same grade machine international.

冲压生产线的成型部分是由保温滚床，均条机，冲压成型机共同组成。三台机器将无固定形状的糖膏变成成长条状，然后冲压成小颗粒的成品糖果。冲压速度可达每分钟90米。

CTS-160 COOLING TUNNEL CTS-160 冷却隧道



LOLLIPOP AUTOMATIC CHAIN FORMING PRODUCTION LINE



棒棒糖全自动冲压生产线

ZAT20 CONTINUOUS VACUUM COOKER ZAT20 连续真空熬糖机

ZAT20 continuous vacuum cooker has large capacity and high performance feature. It's not only capable of making high boiled hard candy, but also milk sugar product under 125°C cooking temperature. In order to achieve the best way to cook for both candy products, modularity and flexibility cooking system alternative is the best guarantee. ZAT20 cooker provide vacuum sharing system to work with alternative cooking section by different principle and design structure. The sugar mass feed to different production lines such as die forming line, depositing line, cutting forming line, and also possible to produce double recipes. ZAT20 continuous vacuum cooker has modern and expandable PLC and HMI control system, fit energy-efficient separating system of vacuum water and exhaust, drum type discharging pump. ZAT20 cooker has more convenience includes link-up with multiple inline mixer, easy to add accessorial ingredient and save energy. Multiple products are processed by sharing system and modularity section assembly. High capacity and perfect automation leads innovation trend of confectionery industry.

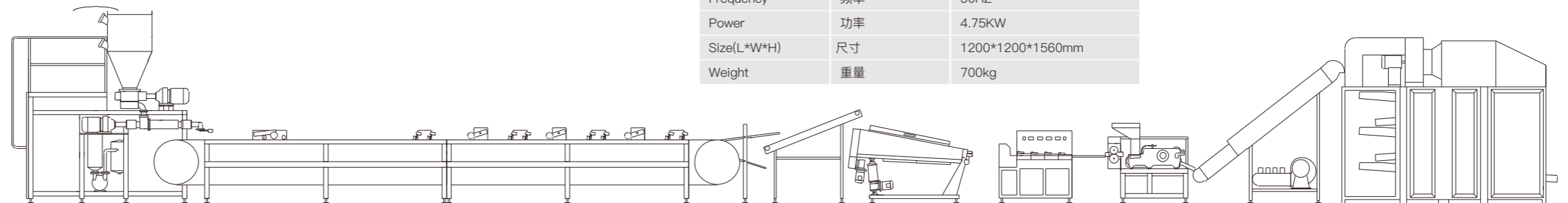
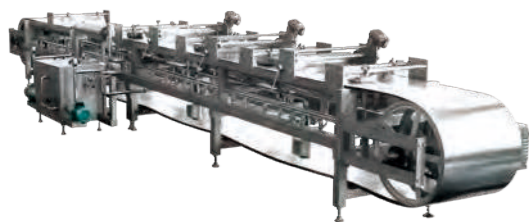
ZAT20 连续真空熬糖机是一款高性能、高产量的糖果熬煮设备。此款熬煮机既可以用于快速熬煮高品质硬糖，也可以在低温下熬煮含奶味糖果。实现多功能化的关键就在于熬煮系统采用了模块化组合方式，利用不同的熬煮结构和原理，可自由选配不同的熬煮系统或者共享真空系统进行生产。生产的糖浆可供应于不同的后道工序，如冲压生产线，浇注生产线，切割生产线，更可生产双口味糖果实现多样化生产。该机采用PLC人机界面及机电一体化可扩展程序系统，配备真空系统水、汽分离节能装置和滚轮式卸料泵等，可组合多个在线混合器，具有操作简单、添加辅料方便，节能降耗的特点。模块化组合更实现了多种产品的共享性，加以其高产量和高度自动化的显著特点，体现了糖果熬煮方式的创新导向。



TECHNICAL DATA: 技术参数:

Model	型号	ZAT20
产量	Capacity	600-1000kg/h
功率	Power	18-22kw
蒸汽压力	Steam pressure	0.5-0.8Mpa
蒸汽耗量	Steam consumption	400-600kg/h
机器尺寸	Machine size	3600*2550*3820mm
重量	Weight	3200kg

GDJ STEEL COOLING BELT GDJ 钢带冷却输送机



GCH BATCH ROLLER
GCH 保温滚床



DHJT-100 ROPE SIZER
DHJT-100 均条机



TLS-600 LOLLIPOP COOLING TUNNEL
TLS-600 棒棒糖冷却隧道

ECXS-2000 CHAIN FORMING MACHINE ECXS-2000 链式冲压成型机

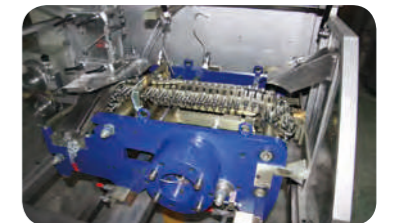
ECXS-2000 chain forming machine is used for forming ball shape lollipop. This machine's feature is its high capacity, high forming speed, and a wide range of candy product. This machine has inverter to control forming speed effectively and capable of producing various shapes of hard candy with or without center filling, milky candy, toffee and lollipop by chain mould change. The particular advantage of this forming machine is its capacity up to 1000 pieces per minute and easy to change the mould within 10 minutes. The transparent cover is easy for operator watching equipment's running performance.

ECXS-2000 链式冲压成型机用于球形棒棒糖的冲压成型机。该机器具有产量高，成型速度快，产品应用范围广等特点。该机器使用变频器控制能够有效控制糖条成型速度，能生产各种带夹心或无夹心的硬糖，奶糖，太妃糖，棒棒糖。该机的优势是成型速度可高达1000粒/分钟，并且模具更换仅需10分钟。透明外罩设计能更加方便操作者清楚的看到生产状况。



TECHNICAL DATA: 技术参数:

Model	型号	ECXS-2000
Capacity	产量	90m/min
Voltage	电压	3/PE/380V
Frequency	频率	50HZ
Power	功率	4.75KW
Size(L*W*H)	尺寸	1200*1200*1560mm
Weight	重量	700kg



SOFT CANDY DIE FORMING PRODUCTION LINE



奶糖冲压生产线

ITG-300 TOFFEE COOKER

ITG-300 太妃熬糖机

ITG-300 toffee cooker is flexible application in production of caramel, toffee, chewy gum, and candy bar. This cooker adopts an economical and efficient microprocessor system to control cooking. It is not only easy for operation, but also can dissolve and cook in same vessel at one time. All parts of contact with sugar syrup are made by stainless steel.

太妃熬糖机具有灵活性强，结构简单等特点。它适合于熬煮卡拉蜜尔糖，太妃糖，口香糖，糖排等。该机采用经济高效的微处理系统进行控制，不但能够较简单的操作机器，而且能在一个容器能同时进行化糖熬糖。机器与糖浆接触部分全部采用不锈钢制成。

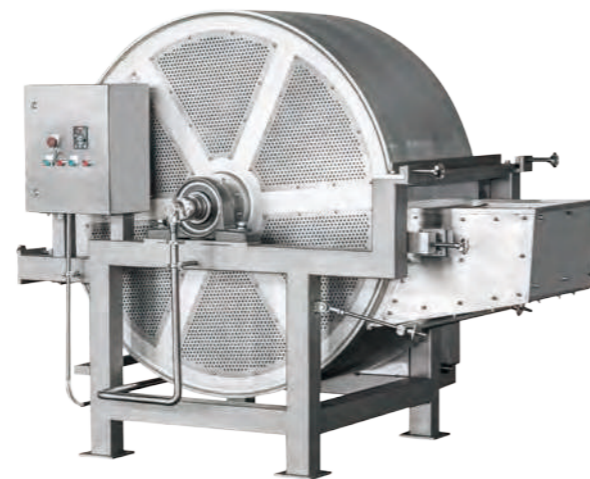


TECHNICAL DATA: 技术参数:

Model	型号	ITG-300
Capacity	产量	300kg/batch
Power	功率	6kw
Size(L*W*H)	尺寸	1340*1340*1940mm
Weight	重量	900kg

TECHNICAL DATA: 技术参数:

Model	型号	LQG-300
Capacity	产量	300-600kg/h
Dia of drum	鼓直径	1200-1500mm
Drum rotational speed	鼓转速	2.4r/min
Durm width	鼓宽度	710mm
Power	功率	1.5-3kw
Size(L*W*H)	尺寸	2150*1850*1750mm



LQG-300 COOLING DRUM
LQG-300 冷却鼓

CYL-200 CHAIN FORMING MACHINE

CYL-200 链式冲压成型机

The CYL-200 forming machine is a new designing of candy forming machine, which is capable of processing hard candy and chewy candy with or without center filling. This machine is equipped with a central drive, and the forming chain is located on a carrier driver. The sugar mass chipping and dust can easily be collected under the forming set.

The chain forming designing is a special process technology for high speed production development. It is possible to reduce the chain wear percentage by using special designing and material. The chain forming machine features higher capacity of center filled product, and more convenient ejecting of soft candy by comparing to rotary die forming equipment.

CYL-200 链式冲压成型机是新一代冲压糖果设备，可用于生产夹心或不夹心的硬糖和咀嚼类软糖。该成型机配有中央传动装置，成形链位于载体驱动器上。糖屑碎片和灰尘很容易在成型部位下方的空间内被收集。

链式成形机构是为提高加工速度而发展起来的一种特殊工艺。采用特殊的设计和选材，可以大幅度降低生产中的零件磨损。相较于圆盘冲压成型方式，链式成型机的产品具有夹心量更高，以及软糖脱模更便捷的特点。



TECHNICAL DATA: 技术参数:

Model	型号	ELLB-800
Capacity	产量	50-70kg/batch
Power	功率	18kw
Size (L*W*H)	尺寸	2980*1680*2330mm
Weight	重量	2200kgs



GCH BATCH ROLLER
GCH保温滚床



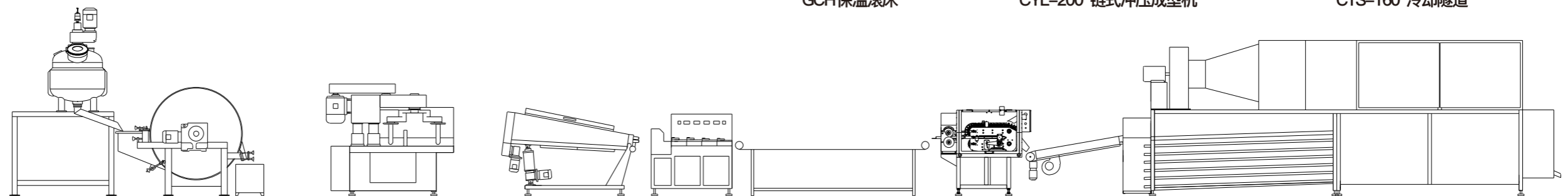
CYL-200 CHAIN FORMING MACHINE
CYL-200 链式冲压成型机



CTS-160 COOLING TUNNEL
CTS-160 冷却隧道



ELLB-800 PULLING MACHINE
ELLB-800拉白机



AERATING CANDY PRODUCTION MACHINE 充气糖果生产设备



CA-250 AUTOMATIC AERATING COOKER CA-250 自动充气熬糖机

CA-250 Automatic aerating cooker is designed for aerating product processing. It is controlled by PLC automatically and touch screen operation. Cooking with vacuum and aerating with mixing are alternate work. CA-250 Aerating cooker is capable of cooking syrup with higher or lower aerating percentage, and is able to increase cooking chamber for condensed milk additive. The cooked syrup from aerating cooker has good quality due to high precision of temperature control. CA-250 Aerating cooker is suitable for milky and cream article, nougat, marshmallow, and candy bar process.

CA-250自动充气熬糖机是为充气糖果熬煮设计的加工设备，配备PLC自动控制装置，触摸屏操作，其真空熬煮、充气搅拌均能自动交替进行，可对糖浆进行高充气或低充气熬煮，也可根据需求增配熬煮锅用于炼乳等辅料的添加。该机具有较高的控制精度，因此通过该机熬煮的糖浆具有很好的质量。该机适用于奶糖、牛轧糖，棉花糖、糖排的熬煮。



XJC-300 SOFT CANDY EXTRUDER XJC-300 软糖挤出机

TECHNICAL DATA: 技术参数:

Model	型号	XJC-300
Capacity	产量	300-600kg/h
Number of candy ropes	挤出糖条数量	1-2 ropes
Dia of extrusion screw	挤出螺杆直径	100mm
Dia of infeed screw	喂料螺杆直径	110mm
Power	功率	18-22kw
Water pressure	水压	1.5-2kg/cm ²
Water consumption	耗水量	200L/h
Size (L*W*H)	尺寸	2530*1040*1840mm
Weight	重量	1400kgs



RQS11 COOLING TUNNEL RQS11 冷却隧道

TECHNICAL DATA: 技术参数:

Model	型号	RQS11
Capacity	产量	300-600kg/h
Power	功率	15-20kw
Size(L*W*H)	尺寸	9000*2000*3000mm



HARD CANDY PRODUCTION MACHINE 硬糖生产设备



EYT-120 KNEADING MACHINE EYT-120 揉糖机



DHLB CONTINUOUS PULLING MACHINE DHLB 连续式拉白机

DHLB Pulling machine is applied to pull and fold sugar mass to be white, soft and smooth. It's able to feed in and out continuously. DHLB Pulling machine is an assistant equipment to produce die forming candy. It adopts inverter to control pulling speed. It is usually working together with steel cooling belt and extruder.

DHLB 拉白机用于将糖浆进行打叠拉白，使其松软光滑呈白色。该机可以连续进料拉白，连续输出，是生产花色冲压糖果的辅助设备。设备采用变频器控制拉白速度，可与钢带冷却机、挤出机配套使用。

JCH EXTRUDER JCH 挤出机

JCH Extruder is applied to extrude sugar mass for producing hard candy, nougat, and similar product. It is capable of extruding double colors and center filling sugar mass. Center filling sugar mass extrusion needs to work with center filling machine. JCH Extruder supplies two design nozzles (double and three nozzles) to extrude different design product. Product can be center-filling, whirl strip, or both two in one. It is able to extrude sugar mass continuously and usually work with die forming machine. JCH Extruder is one of the most important equipments in forming candy production.

JCH 挤出成型机适用于硬糖、牛轧糖等多种糖条的挤出。其挤出的糖条形状可分为彩条状和夹心状。生产夹心糖条需要配备夹心机。该机配有不同形式的挤出头（双模头和三模头）可分别挤出不同形式的糖条，产品可分为夹心、彩条，或彩条夹心状。该机可连续挤出，并与冲压成型设备配套使用，是生产彩条形冲压糖果的关键设备之一。

TECHNICAL DATA: 技术参数:

Model	型号	EYT-120
Capacity	产量	350kg/h
Power	功率	2.5kw
Size(L*W*H)	尺寸	1585*1300*1380mm



TECHNICAL DATA: 技术参数:

Model	型号	DHLB
Capacity	产量	800kg/h
Projecting shaft Number	甩柄数量	12pcs
Rotate speed	转速	5-30rpm
Power	功率	16kw
Size(L*W*H)	尺寸	2580*980*1830mm
weight	重量	2800kgs



AUTO-WEIGHING SYSTEM 自动称重配料系统

JL-200 AUTO-WEIGHING SYSTEM JL-200 自动称重配料系统

JL-200 Auto-weighing system is ingredient weighing equipment of candy production line. It is able to achieve accurate proportion of different ingredients to ensure taste of final product. During processing of auto-weighing system, this equipment can heat and stir sugar solution continuously to supply the next process. It's an important portion of candy production.

自动称重系统是生产各种糖果的配料设备。各种原料通过自动称重以准确的配比保证糖果的口味。在配料称重过程中，设备还对熬糖原料进行不断加热和搅拌，以保证后道工序的顺利进行，是糖果生产线中非常重要的组成部分。



TECHNICAL DATA: 技术参数:

Model	型号	JL-200
Capacity	产量	1000kg/h
Volume of weighing tank	称重锅容量	200-350L
Weighing range	称重范围	1kg-350kg
Volume of dissolving tank	化糖锅容量	350-500L
Power	功率	6.5-11kw
Steam pressure	蒸汽压力	0.2-0.6Mpa
Steam consumption	蒸汽耗量	250kg/h
Weight	重量	1000kgs

COOKING MACHINE 熬糖机

AZL-400 CONTINUOUS MICRO FILM ROTOR COOKER AZL-400型连续薄膜转子熬煮机

AZL-400 Continuous micro film rotor cooker, it keeps the syrup's natural color under low temperature cooking processing and vacuum status. The advantage is its evaporator and scraper structure, help to prevent the syrup burning. This cooker is suitable for milk and hard candy production.

AZL-400型连续薄膜转子熬煮机，能在真空下进行低温熬煮，保留了糖浆的自然原色。优点在于其薄膜蒸发原理和刮板机构，在很大程度上避免了糖浆产生焦化反应。该款熬煮机适用于奶糖和硬糖的生产。

TECHNICAL DATA: 技术参数:

Model	型号	AZL-400
产量	Capacity	500-700kg/h
功率	Power	30kw
蒸汽压力	Steam pressure	0.6-0.8Mpa
蒸汽耗量	Steam consumption	500kg/h
水耗量	Water consumption	cooling water tower required
机器尺寸	Machine size	2000*2000*3100mm
重量	Weight	2200kg



ELGA-800 CONTINUOUS VACUUM ROTOR COOKER ELGA-800 连续真空转子熬糖机

ELGA-800 Continuous vacuum rotor cooker is general syrup cooker which has flash cooking and vacuum continuously. This equipment is vertical design with zero-clearance scraper system, advanced steam heating system and automatic temperature control system to achieve efficient heat exchange. ELGA-800 Continuous vacuum rotor cooker is capable of making hard candy, milk candy and hard toffee. The cooked syrup from this machine is pure transparent without bubble.

ELGA-800连续真空转子熬糖机是通用的糖浆连续真空高速熬煮设备，该设备采用垂直型直流设计、特殊的无缝刮板系统，精确的蒸汽加热装置和自动控温系统，使熬糖设备具备优越、高效的热传递特性，从而实现快速、高效的糖浆熬制性能。ELGA-800连续真空转子熬糖机适用于熬煮硬糖，奶糖，硬太妃糖。该机熬煮的糖浆透明度高，气泡少，色泽均匀。

TECHNICAL DATA: 技术参数:

Model	型号	ELGA-800
Capacity	产量(单熬煮锅)	800kg/h (one cooking system)
Power	功率(单熬煮锅)	25kw(one cooking system)
Water consumption	耗水量	2000L/h
Seam consumption	蒸汽耗量	600kg/h
Size(L*W*H)	尺寸	2010*1560*2480mm



COOKING MACHINE 熬糖机

MIXING、TRANSPORTATION MACHINE 搅拌、运输设备

WAZ600 HORIZONTAL VACUUM COOKER WAZ600 卧式真空熬糖机

WAZ600 Horizontal vacuum cooker is specially designed for milky contained candy production with lower temperature. The rotor cooking system of horizontal cooker is high efficiency to flash evaporating most water from syrup, and improve the heating exchange effect. Milky ingredient avoids color changing or burned out during production. WAZ600 Horizontal vacuum cooker assemble automatic steam control system and high performance mechanical seal which is reliable guarantee of cooking process. This cooker consists of rotor cooking system and vacuum system to save the cooking time and improve production efficiency

WAZ600卧式真空熬糖机是一款专门用于奶糖低温熬煮的熬糖设备。该机拥有高效率的转子刮板式熬煮系统，能瞬时蒸发糖浆中的大部分水份，提高热交换率；同时保证奶类原料的原汁原味。并配有自动蒸汽控制系统和高性能的密封件，为生产提供了可靠的性能保证。卧式真空熬糖机仅有熬煮和真空两部分组成，不但节省了熬煮时间，还提高了生产效率。

TECHNICAL DATA: 技术参数:

Model	型号	WAZ600
产量	Capacity	300-600kg/h
功率	Power	52kw
蒸汽压力	Steam pressure	0.5Mpa
蒸汽耗量	Steam consumption	0.5T/h
水耗量	Water consumption	2000L/h
机器尺寸	Machine size	2500*1800*3200m
重量	Weight	4T



ELGA-800 DOUBLE VACUUM ROTOR COOKER ELGA-800 双转子真空熬糖机

TECHNICAL DATA: 技术参数:

Model	型号	ELGA-800
Capacity	产量 (双熬煮锅)	1200kg/h(two cooking systems)
Power	功率 (双熬煮锅)	40kw(two cooking systems)
Water consumption	耗水量	2000L/h
Seam consumption	蒸汽耗量	600-1000kg/h
Size(L*W*H)	尺寸	2200*2300*2480mm



EQJZ-50 CHOCOLATE DEPOSITOR EQJZ-50 巧克力浇注机



JX CENTER FILLING MACHINE JX 夹心机



Z TYPE CONVEY FEEDER Z 字形输送喂料机



YJB-300 MIXING MACHINE YJB-300 搅拌机



TECHNICAL DATA: 技术参数:

Model	型号	YJB-300
Capacity	产量	30kg/batch
Power	功率	1.5kw
Size (L*W*H)	尺寸	700*450*1400mm

ESP-0001 COMBINED FLAVOR/ COLOR DOSING PUMP ESP-0001 香精 / 色素 计量泵



TECHNICAL DATA: 技术参数:

Model	型号	ESP-0001
Pressure	压力	0-80P
Capacity	产量	0-7.2L/h(single pump)
Power	功率	1.1kw
Viscosity range	粘度范围	1-100000CP
Dia of dosing pole	柱塞杆直径	10mm
Size (L*W*H)	尺寸	724*390*275mm

ESYA-300 LAB BATCH COOKER

ESYA-300 实验室熬糖机

ESYA-300 Lab batch cooker is suitable for cooking syrup in the lab application. This machine can dissolve, pressure, vacuum, aerate and cook to satisfy the desired of creating new candy product in the lab. The cooked syrup from ESYA-300 Lab batch cooker is capable of producing hard candy, soft candy, jelly, toffee, high boiled candy and sugar free product.

ESYA-300 实验室熬糖机适用于实验室小批量糖浆的熬煮，该设备通过对原料进行溶解、加压、真空、充气、熬煮等不同处理方式满足实验室糖果开发对糖浆的不同需求。熬制出来的糖浆能满足硬糖、软糖、凝胶软糖、太妃糖、高温熬制糖果以及无糖果的开发。

TECHNICAL DATA:

技术参数:

Model	型号	JL-200
Capacity	产量	3-6kg/batch
Power	功率	2kw
Steam pressure	蒸汽压力	0.6Mpa
Compressed air pressure	压缩空气压力	0.4Mpa
Size (L*W*H)	尺寸	1505*800*2000mm
Weight	重量	300kgs



DHYT-02 LAB CANDY DEPOSITOR

DHYT-02 实验室浇注机

The DHYT-02 lab depositor is designed for small batch depositing in the lab. It is driven by servo motor and touch screen operation. Designed structure and performance are both stable. It is capable of producing three colors and three flavor, swirl effect, and center-filling candy. This equipment is a perfect lab depositor for hard candy production.

DHYT-02 型全伺服硬糖浇注试验机是一种用于实验室糖果开发的新型浇注设备。该机由全伺服电机控制，触摸屏操作，结构紧凑，性能稳定。可浇注三色三味、喷花夹心等花色硬糖，是理想的浇注硬糖实验设备。

TECHNICAL DATA:

技术参数:

Model	型号	DHYT02
Capacity	产量	20cavities/min
Range of depositing weight	浇注量范围	2-7g
Power	功率	6kw
Size (L*W*H)	尺寸	1580*1050*2000mm



LPM-510 LAB PULLER

LPM-510 实验室拉白机

FUNCTION: to pull sugar mass be more whiten and soft, prepare for next roller process.

功能: 用于拉白糖浆使其松软变白, 为下一步拉条做准备。

TECHNICAL DATA:

技术参数:

Model	型号	LPM-510
Capacity	产量	0.5-1kg/batch
Power	功率	0.75kw
Safety protection	安全保护	Safety cover 保护罩
Speed adjust type	转速调整方式	Knob adjustable 旋钮可调
Voltage	电压	380V(220V possible)
Size (L*W*H)	尺寸	550*450*680mm
Weight	重量	75kgs



EATH10A LAB MICRO FILM COOKER

EATH10A 实验室真空薄膜熬糖机

TECHNICAL DATA:

技术参数:

Model	型号	EATH10A
Capacity	产量	15-40kg/h
Steam pressure	蒸汽压力	0.6Mpa
Steam consumption	蒸汽耗量	100kg/h
Power	功率	6kw
Water consumption	水耗量	500L/h
Size	尺寸	1300*1400*1750mm
Weight	重量	75kgs



SCA75 LAB AERATING COOKER

SCA75 实验室充气熬糖机

TECHNICAL DATA:

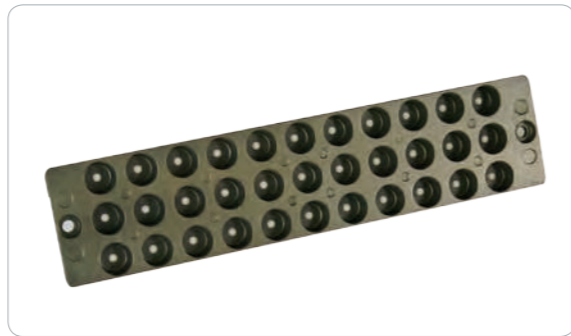
技术参数:

Model	型号	SCA75
Capacity	产量	10-15kg/batch
Steam pressure	蒸汽压力	0.6Mpa
Steam consumption	蒸汽耗量	100kg/h
Power	功率	5kw
Water consumption	水耗量	500L/h
Compressed air pressure	压缩空气压力	0.6Mpa
Compressed air consumption	压缩空气耗量	0.2m³/min
Size	尺寸	1400*1000*2200mm





2D MOULD



2D MOULD



2D MOULD



3D MOULD



3D JELLY MOULD



FLAT LOLLIPOP MOULD



SERVO MACHINE LOLLIPOP MOULD



SERVO MACHINE LOLLIPOP MOULD



SERVO MACHINE LOLLIPOP MOULD



SERVO MACHINE LOLLIPOP MOULD



SERVO MACHINE 2D MOULD



SERVO MACHINE 2D MOULD



SPECIAL MOULD



MANUAL MOULD

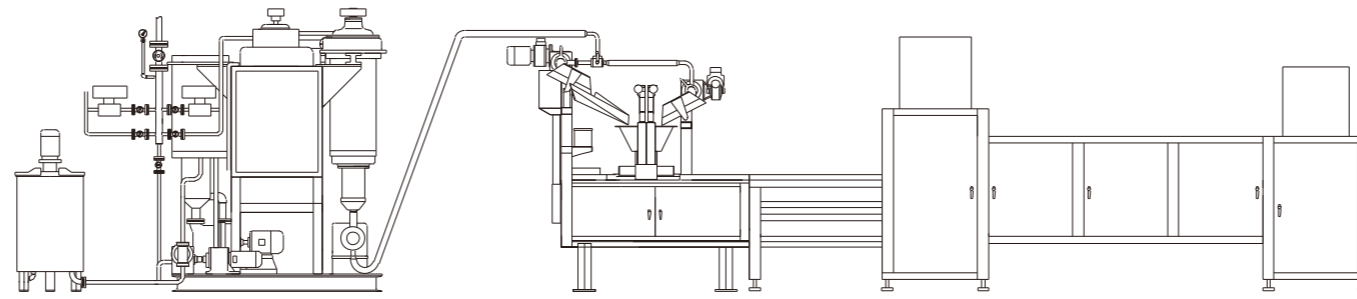


SILICON MOULD

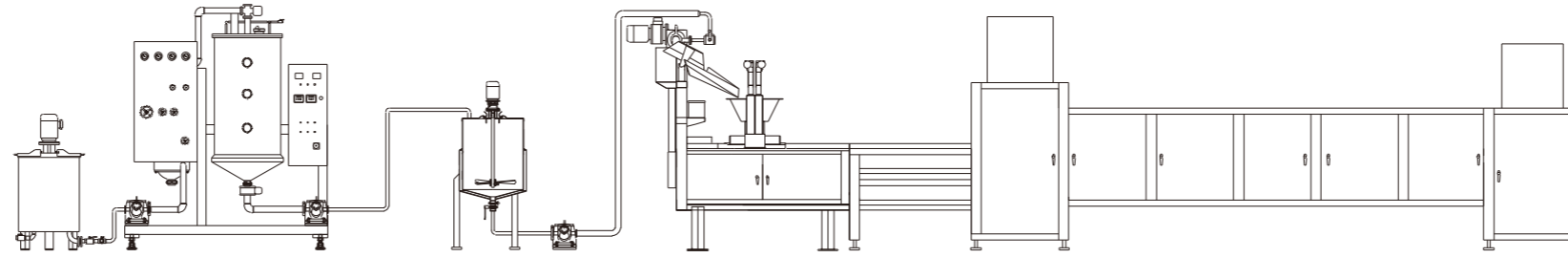


DIE FORMING MOULD

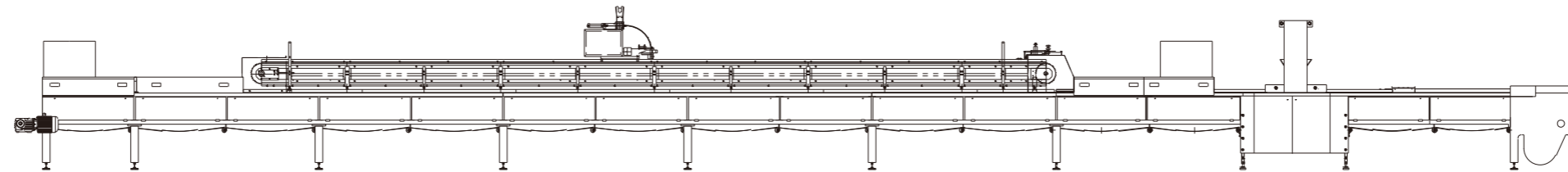
HARD CANDY DEPOSITING PRODUCTION LINE
硬糖浇注生产线



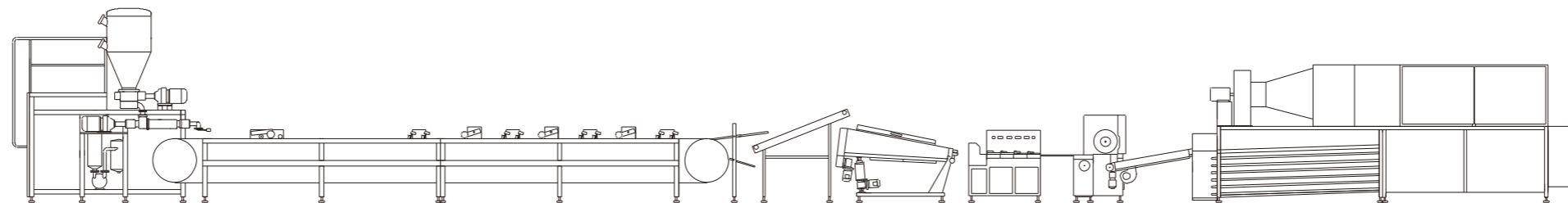
PECTIN JELLY DEPOSITING PRODUCTION LINE
果胶软糖浇注生产线



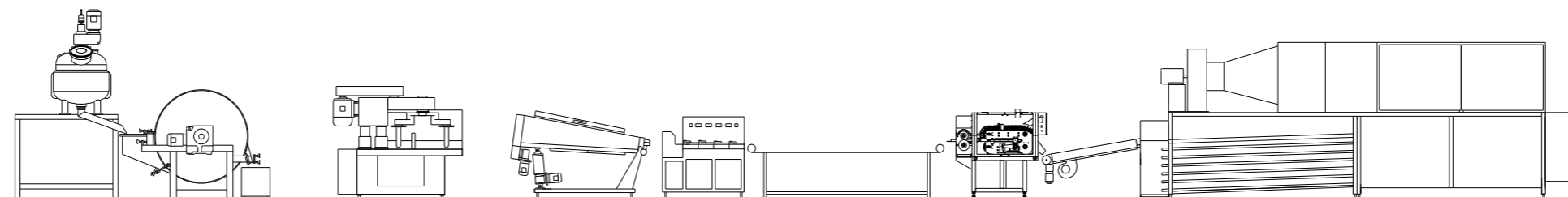
LOLLIPOP SERVO DRIVE DEPOSITING PRODUCTION LINE
伺服棒棒糖浇注生产线



HARD CANDY AUTOMATIC DIE FORMING PRODUCTION LINE
硬糖冲压生产线

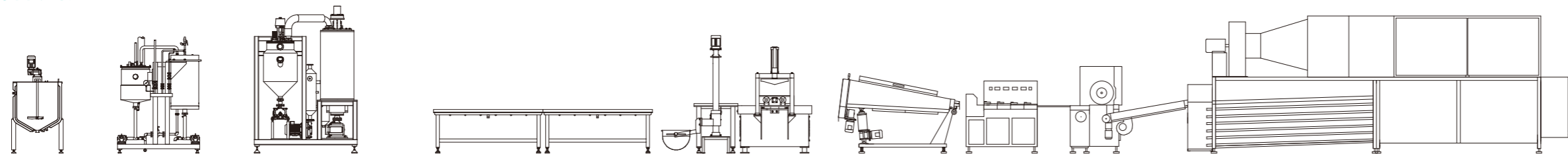


TOFFEE DIE FORMING PRODUCTION LINE
太妃糖冲压生产线



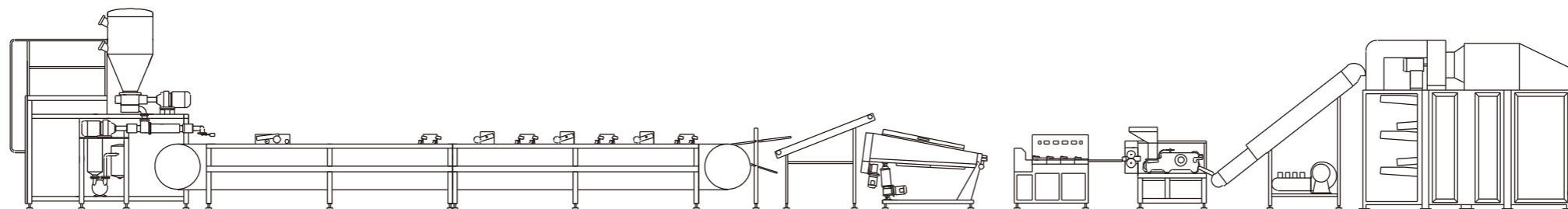
HARD CANDY SEMI-AUTOMATIC DIE FORMING PRODUCTION LINE

硬糖半自动冲压生产线



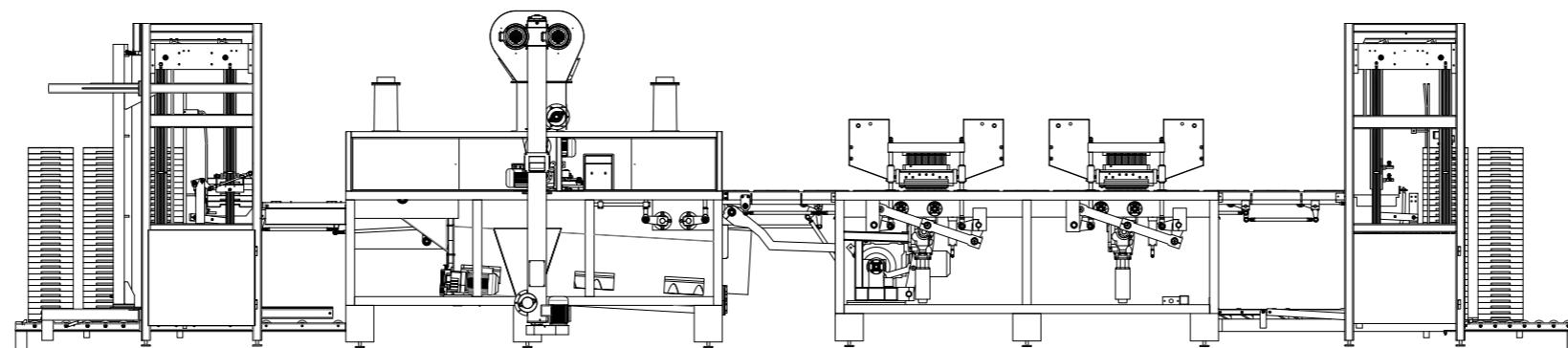
LOLLIPOP AUTOMATIC CHAIN FORMING PRODUCTION LINE

棒棒糖全自动冲压生产线



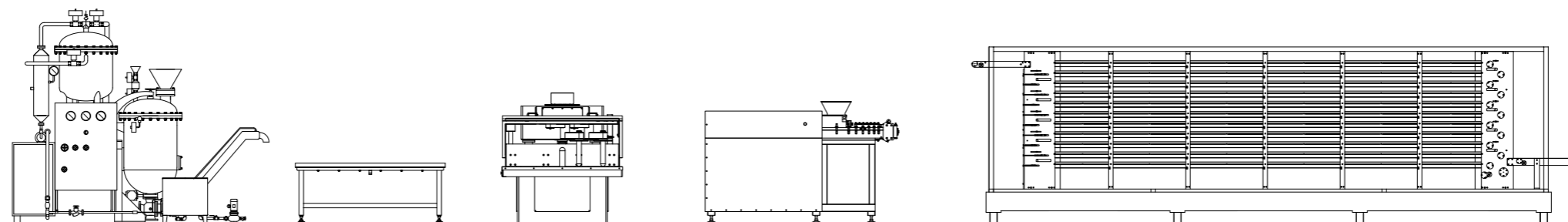
MOGUL LINE

淀粉模软糖浇注生产线



SOFT CANDY EXTRUDE PRODUCTION LINE

奶糖挤出生产线



CHEWY CANDY FORMING PRODUCTION LINE

奶糖冲压生产线

